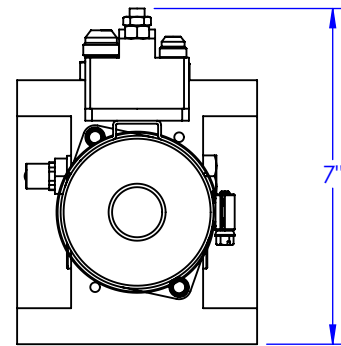
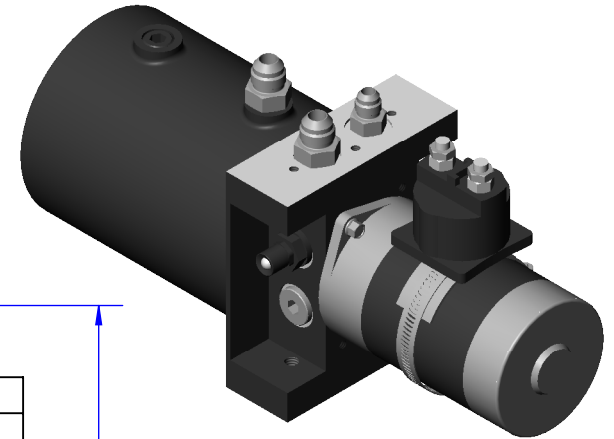


3/8"-16 Tapped Mounting Holes



PROPRIETARY AND CONFIDENTIAL		NAME	DATE	M3 MITTLER BROS. MACHINE & TOOL 10 Cooperative Way, Wright City, MO. 63390 (636)745-7757 Fax (636)745-2874
THE INFORMATION CONTAINED IN THIS DRAWING IS THE SOLE PROPERTY OF MITTLER BROS. MACHINE & TOOL. ANY REPRODUCTION IN PART OR AS A WHOLE WITHOUT THE WRITTEN PERMISSION OF MITTLER BROS. MACHINE & TOOL IS PROHIBITED.		DRAWN	MSA 3/4/20	
		UNLESS OTHERWISE SPECIFIED:		TITLE:
		DIMENSIONS ARE IN INCHES		Hydroshox Pump
		TOLERANCES:		SIZE DWG. NO. REV
		FRACTIONAL ±1/32		A Pump Assembly
		ONE PLACE DECIMAL ±0.15		
		TWO PLACE DECIMAL ±0.10		
		THREE PLACE DECIMAL ±0.005		
		ANGULAR ±1°		
QUANTITY		COMMENTS:		
MATERIAL				
FINISH				
DO NOT SCALE DRAWING				SCALE: 1:4 WEIGHT: 7.400 SHEET 1 OF 1