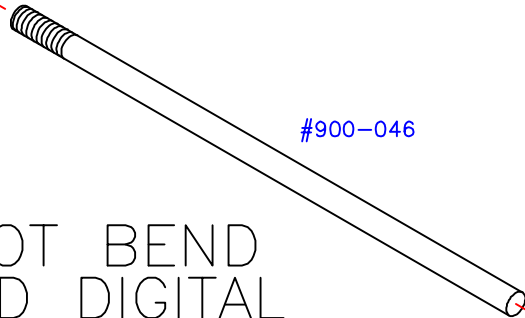


BLOCK BOLTS TO RAM CLEVIS.  
TAKE OFF POINTER. MAY HAVE  
TO LOOSEN REAR SOCKET HEAD  
ON RAM TO TURN RAM CLEVIS  
THEN TIGHTEN.

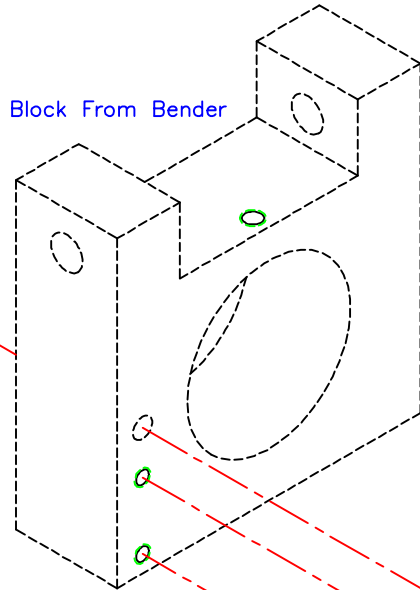
#900-045



#900-046

DO NOT BEND  
TOWARD DIGITAL  
READOUT SIDE  
(FLIP SHOE)

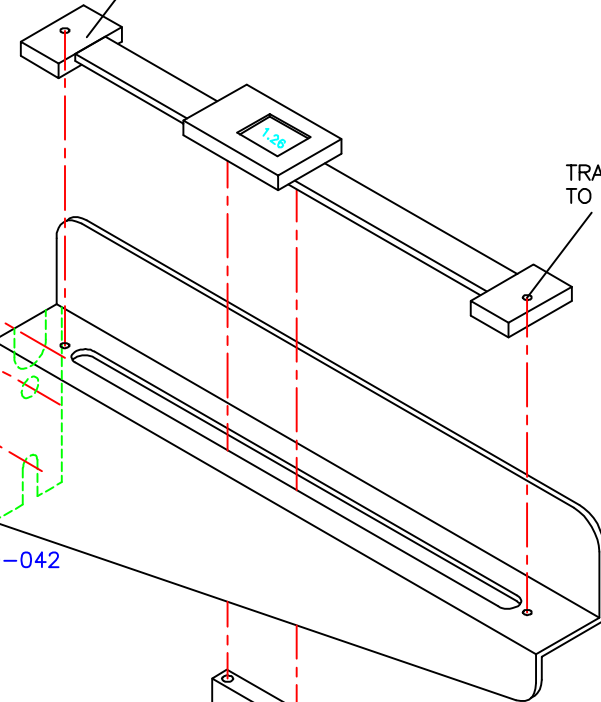
Block From Bender



HYDRAULIC TUBING BENDER  
DIGITAL READ OUT  
ASSEMBLY

REV 2.00  
4-7-2004

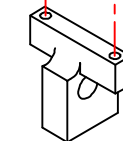
LOOSEN SLIDE MOUNT BRACKETS  
OUTWARD TILL YOU CAN GET  
ABOUT 6.4 INCHES OF READOUT  
AND TIGHTEN.



TRANSFER BOLT  
TO BRACKET

#900-042

NOTE: KEEP ALL  
PARTS LOOSE  
UNTIL FINAL  
FITTING.



#900-044

**MB** MITTLER BROS.  
MACHINE & TOOL

10 COOPERATIVE WAY  
WRIGHT CITY, MD 63390  
(636) 745-7757