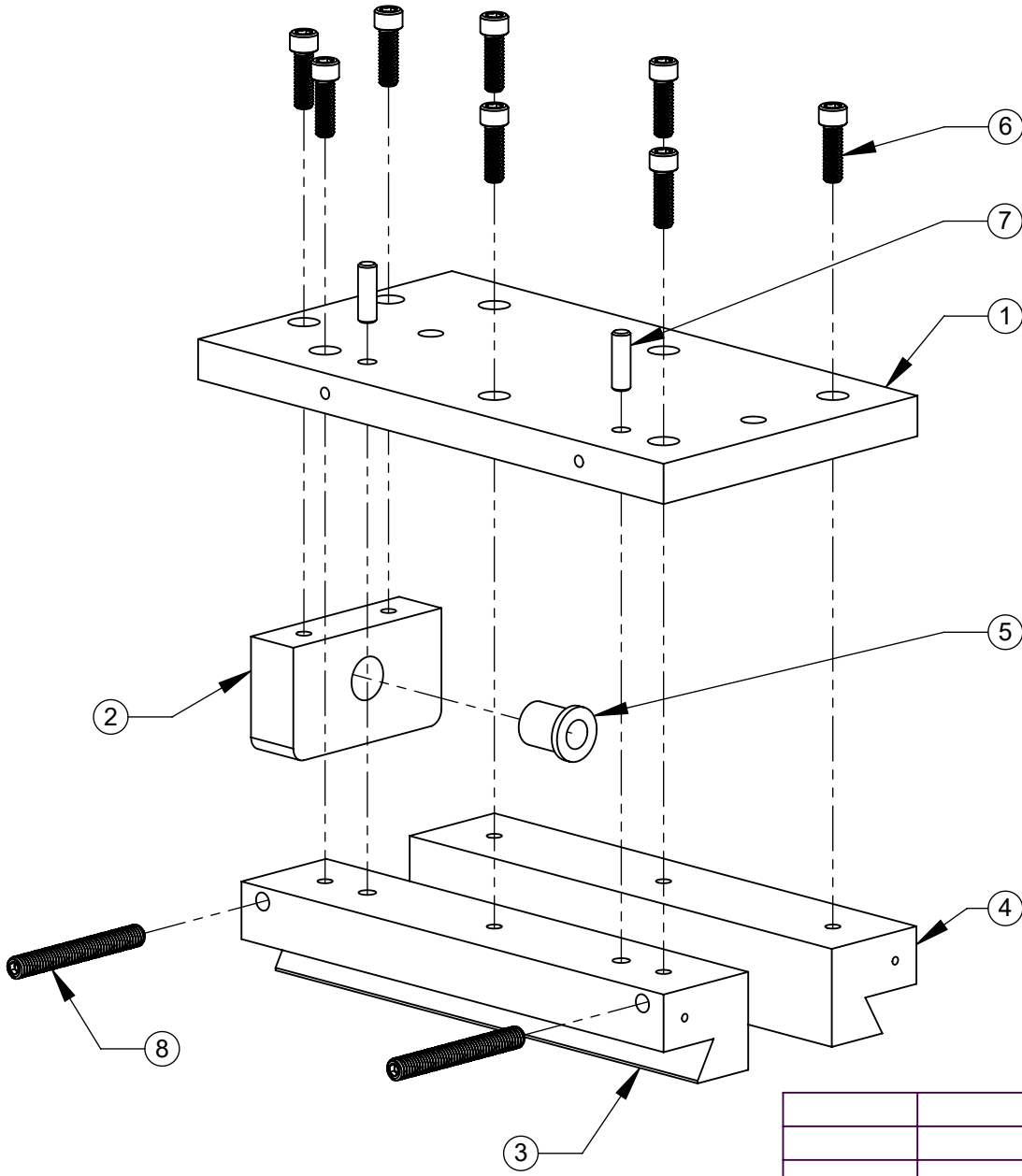


ITEM NO.	PART NUMBER	Description	QTY.
1	400-006	VICE MOUNTING PLATE	1
2	400-012	Bushing Block	1
3	400-013-01	Steel V-Gib	1
4	400-013-02	Steel V-Gib	1
5	400-512	Bronze Bushing	1
6	91251A583	5/16"-18 x 1" SHCS	8
7	98381A583	Ø5/16" x 1" Dowel Pin	2
8	91375A636	3/8"-16 x 3" Set Screw	2



PROPRIETARY AND CONFIDENTIAL
 THE INFORMATION CONTAINED IN THIS DRAWING IS THE SOLE PROPERTY OF MITTLER BROS. MACHINE & TOOL. ANY REPRODUCTION IN PART OR AS A WHOLE WITHOUT THE WRITTEN PERMISSION OF MITTLER BROS. MACHINE & TOOL IS PROHIBITED.

		UNLESS OTHERWISE SPECIFIED:			NAME	DATE	MB MITTLER BROS. MACHINE & TOOL 10 Cooperative Way, Wright City, MO. 63390 (636)745-7757 Fax (636)745-2874 TITLE: Vise Base Assembly
		DIMENSIONS ARE IN INCHES		DRAWN	MSA	12/30/19	
		TOLERANCES:		CHECKED			
		FRACTIONAL ±.015		ENG APPR.			
		ONE PLACE DECIMAL ±.015		MFG APPR.			SIZE
		TWO PLACE DECIMAL ±.010		Q.A.			DWG. NO.
		THREE PLACE DECIMAL ±.005		COMMENTS			REV
		ANGULAR ±1°					A
		QUANTITY					400-A05
		MATERIAL					SCALE: 1:3
		FINISH					WEIGHT:
NEXT ASSY	USED ON	APPLICATION					SHEET 1 OF 1
		DO NOT SCALE DRAWING					

5

4

3

2

1