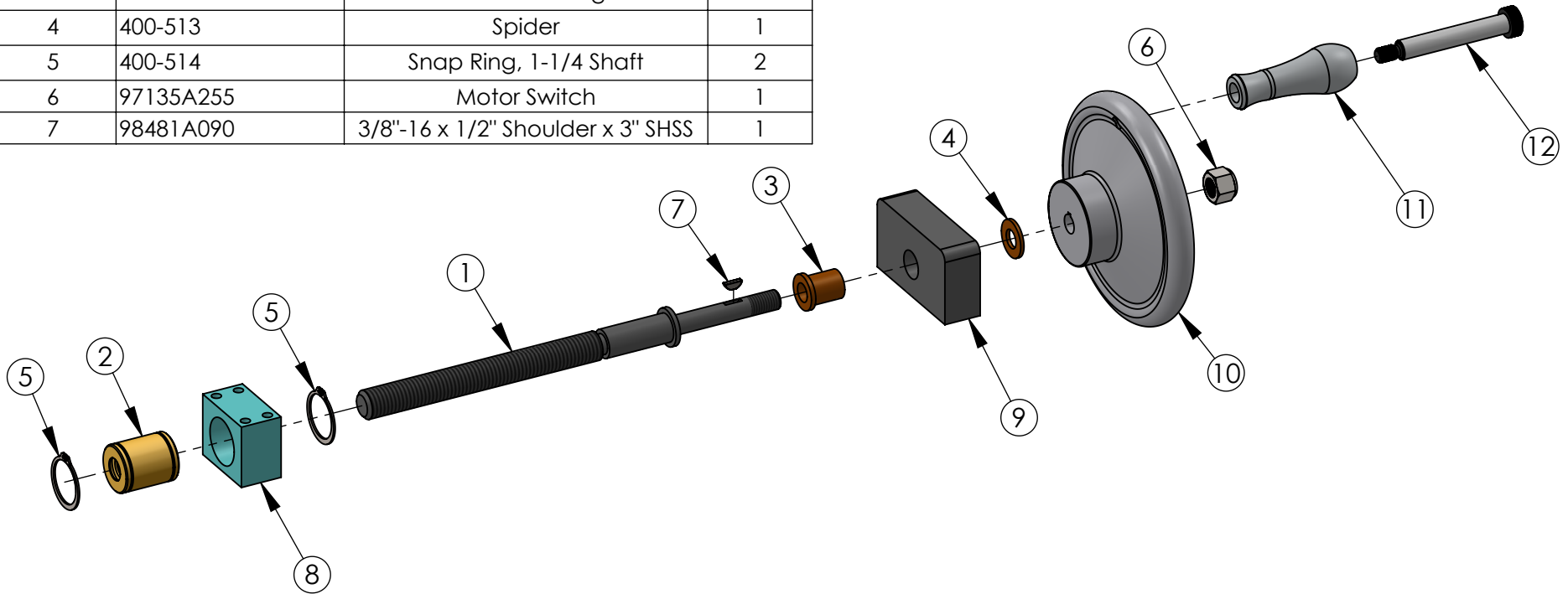


### Parts Included in Kit

ITEM NO.	PART NUMBER	DESCRIPTION	QTY.
1	400-005-RH	1 hp Motor & Gearbox	1
2	400-009-RH	Right Hand Bronze Roton Nut	1
3	400-512	Bronze Bushing	1
4	400-513	Spider	1
5	400-514	Snap Ring, 1-1/4 Shaft	2
6	97135A255	Motor Switch	1
7	98481A090	3/8"-16 x 1/2" Shoulder x 3" SHSS	1



### Not Included in Kit

ITEM NO.	PART NUMBER	DESCRIPTION	QTY.
8	400-011	Bronze Nut Block	1
9	400-012	Bushing Block	1
10	400-020	1100-U VISE	1
11	400-021	Aluminum Handle	1
12	91259A724	3/8"-16 x 1-1/2" Shoulder x 3" Socket Head Shoulder Screw	1

<b>PROPRIETARY AND CONFIDENTIAL</b> THE INFORMATION CONTAINED IN THIS DRAWING IS THE SOLE PROPERTY OF MITTLER BROS. MACHINE & TOOL. ANY REPRODUCTION IN PART OR AS A WHOLE WITHOUT THE WRITTEN PERMISSION OF MITTLER BROS. MACHINE & TOOL IS PROHIBITED.	NAME	DATE	<b>M3 MITTLER BROS. MACHINE &amp; TOOL</b> 10 Cooperative Way, Wright City, MO. 63390 (636)745-7757 Fax (636)745-2874
	DRAWN	MSA 11/8/19	
<b>UNLESS OTHERWISE SPECIFIED:</b>		DIMENSIONS ARE IN INCHES	
TOLERANCES:		FRACTIONAL ±1/32	
ONE PLACE DECIMAL ±.015		TWO PLACE DECIMAL ±.010	
THREE PLACE DECIMAL ±.005		ANGULAR ±1°	
QUANTITY		<b>COMMENTS:</b>	
MATERIAL		TITLE: <b>Left-Right Feed Assembly</b>	
FINISH		SIZE <b>A</b>	DWG. NO. <b>400-302</b>
<b>DO NOT SCALE DRAWING</b>		SCALE: 1:4	WEIGHT:
		REV	
		SHEET 1 OF 1	