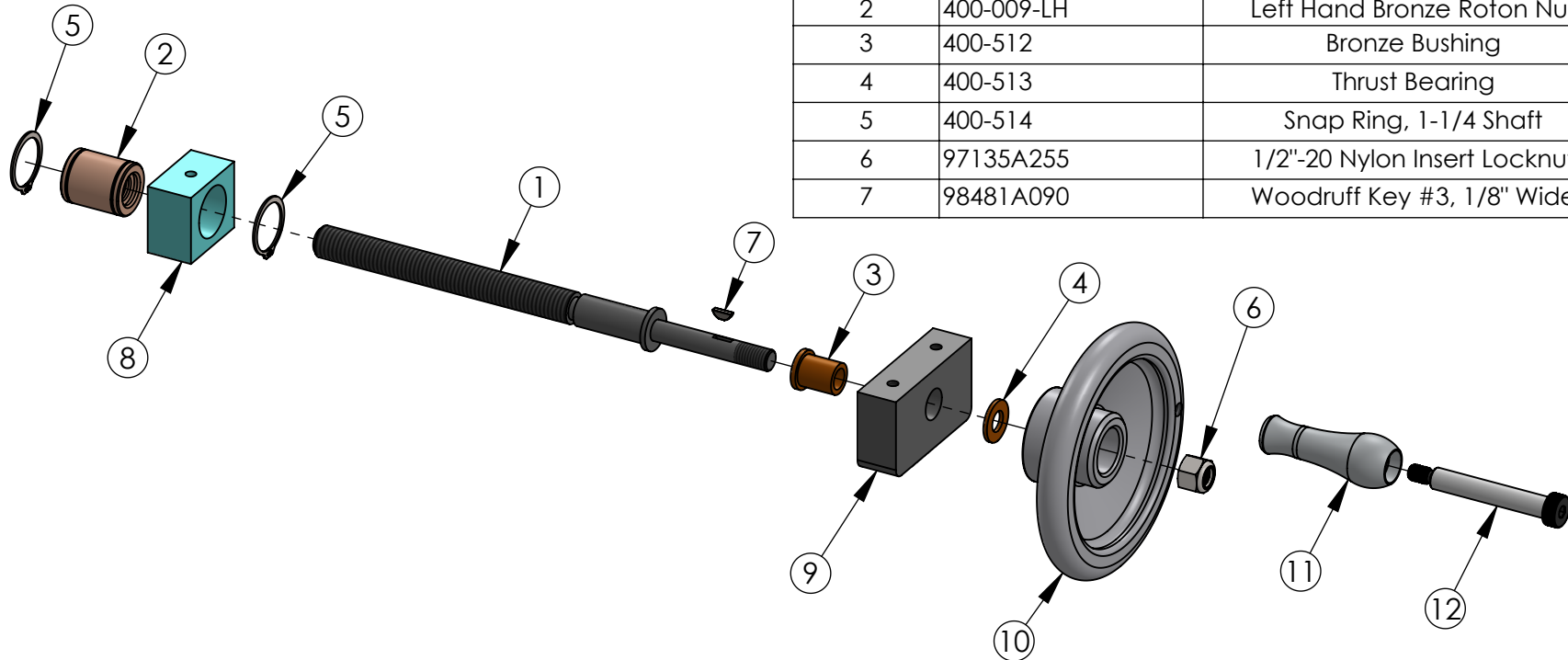


Parts Included in Kit

ITEM NO.	PART NUMBER	DESCRIPTION	QTY.
1	400-005-LH	Roton Screw LH	1
2	400-009-LH	Left Hand Bronze Roton Nut	1
3	400-512	Bronze Bushing	1
4	400-513	Thrust Bearing	1
5	400-514	Snap Ring, 1-1/4 Shaft	2
6	97135A255	1/2"-20 Nylon Insert Locknut	1
7	98481A090	Woodruff Key #3, 1/8" Wide	1



Not Included in Kit

ITEM NO.	PART NUMBER	DESCRIPTION	QTY.
8	400-011	Bronze Nut Block	1
9	400-012	Bushing Block	1
10	400-020	Hand Wheel	1
11	400-021	Aluminum Handle	1
12	91259A724	3/8"-16 x 1/2" Shoulder x 3" Socket Head Shoulder Screw	1

PROPRIETARY AND CONFIDENTIAL

THE INFORMATION CONTAINED IN THIS DRAWING IS THE SOLE PROPERTY OF MITTLER BROS. MACHINE & TOOL. ANY REPRODUCTION IN PART OR AS A WHOLE WITHOUT THE WRITTEN PERMISSION OF MITTLER BROS. MACHINE & TOOL IS PROHIBITED.

QUANTITY	
MATERIAL	
FINISH	
DO NOT SCALE DRAWING	

NAME	DATE
DRAWN MSA	11/8/19
UNLESS OTHERWISE SPECIFIED:	
DIMENSIONS ARE IN INCHES	
TOLERANCES:	
FRACTIONAL	±1/32
ONE PLACE DECIMAL	±0.015
TWO PLACE DECIMAL	±0.010
THREE PLACE DECIMAL	±0.005
ANGULAR	±1°
COMMENTS:	

MB MITTLER BROS. MACHINE & TOOL
 10 Cooperative Way, Wright City, MO. 63390
 (636)745-7757 Fax (636)745-2874

TITLE: In-Out Feed Assembly		
SIZE	DWG. NO.	REV
A	400-301	
SCALE: 1:4	WEIGHT:	SHEET 1 OF 1