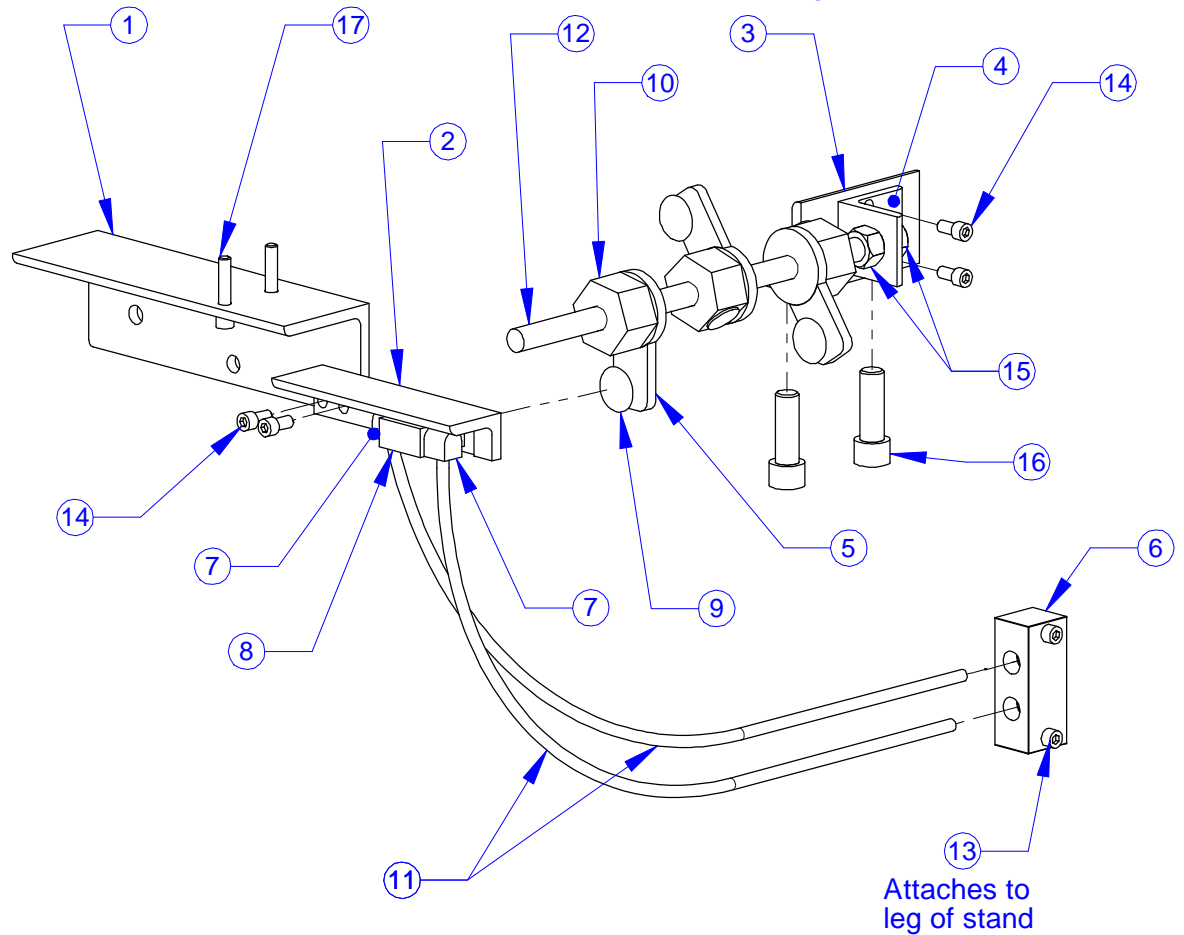


\*Attaches to bottom of gear rack

\*Attaches to side stiffening bar



\*Note:  
If purchased before 8/2010, Items 1, 3, 16, 17 are required.  
If purchased after 8/2010, Items 1, 3, 16, 17 are standard on machine.

Item No.	Part Number	Description	Qty.
1	2500-160	*Spring Bracket Standard with machine after 8/2010	1
2	2500-161	Switch Bracket	1
3	2500-162	*Stop Adjustment Bracket Mount Standard with machine after 8/2010	1
4	2500-163	Stop Adjustment Bracket	1
5	2500-164	Arm	3
6	2500-165	Manifold	1
7	2500-521	Brass Pipe Elbow	2
8	2500-522	Air Valve	1
9	2500-523	Elevator Bolt	3
10	2500-524	Button Thread Collar Nut	3
11	18"	Air Hose	2
12	2500-525	1/2"-13 x 11" Threaded Rod	1
13	1/4"-20 x 1-1/4"	SHCS	2
14	1/4"-20 x 1/2"	SHCS	4
15	1/2"-13	Nut	2
16	1/2"-13 x 1-1/2"	*SHCS	2
17	1/4"-20 x 1-1/4"	*SHCS	2

**PROPRIETARY AND CONFIDENTIAL**  
THE INFORMATION CONTAINED IN THIS DRAWING IS THE SOLE PROPERTY OF MITTLER BROS. MACHINE & TOOL. ANY REPRODUCTION IN PART OR AS A WHOLE WITHOUT THE WRITTEN PERMISSION OF MITTLER BROS. MACHINE & TOOL IS PROHIBITED.

		UNLESS OTHERWISE SPECIFIED: DIMENSIONS ARE IN INCHES TOLERANCES: FRACTIONAL ±.015 ONE PLACE DECIMAL ±.015 TWO PLACE DECIMAL ±.010 THREE PLACE DECIMAL ±.005 ANGULAR ±1°	DRAWN	NAME	DATE	 <b>MITTLER BROS. MACHINE &amp; TOOL</b> 10 Cooperative Way, Wright City, MO. 63390 (636)745-7757 Fax (636)745-2874
		QUANTITY	CHECKED	BAB	7/28/10	
		MATERIAL YYYY	ENG APPR.			
		FINISH	MFG APPR.			
NEXT ASSY	USED ON	COMMENTS	Q.A.			TITLE: Side Bend Stop
APPLICATION		DO NOT SCALE DRAWING				SIZE DWG. NO. REV <b>A</b> 2500-402
						SCALE: 1:4 WEIGHT: 8.834 SHEET 1 OF 1