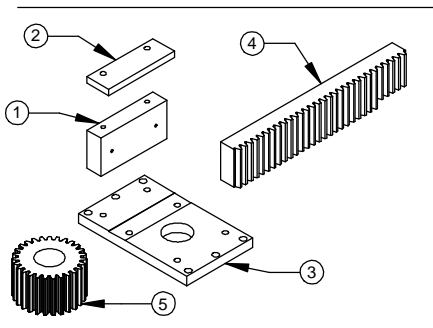


ITEM NO.	PART NUMBER	Description	QTY.
1	2500-004	Main Base Plate	1
2	2500-014	Square Drive Shaft	1
3	2500-510	2 Pt. Gear	1
4	2500-010	Hyd. Cylinder Mounting Block	1
5	2500-012	Bottom Support Plate	1
6	2500-013	Stiffening Bars	2
7	2500-015	Gear Rack Support Block	1
8	2500-506	Lamia, 3/8 x 2 x 48	1
9	2500-504	Gear Rack	1
10	2500-009	Hyd. Mount Block Gusset	1
11	2500-009 Mirror	Hyd. Mount Block Gusset Mirrored	1
12	2500-003	Spring Return Bracket - Long	1
13	2500-509	Square Shaft Flange Bearing	2
14	2500-505	Rack Return Spring	2
15	2500-519	Hyd. Cylinder - C258C	1
16	2500-514	Hydraulic Ram Modified	1
17	2500-135	Bend Stop Bracket	1
18	2500-011-1	Shoe Spacer	3
19	2500-016	Square Shaft Key	2
20	2500-131	Bend Stop Adjuster	1
21	2500-040	Adjustable Stops	1
22	2500-123	Stop Valve Mount	1
23	2500-508	Square Shaft Bearing	1
24	2500-511	Square Shaft Thrust Washer	1
25	750-FHCS-10-32X0.375	FHCS 10-32 x 3/8"	3

Ram/Table Assembly
Pre 8/2010



ITEM NO.	PART NUMBER	DESCRIPTION	QTY.
1	2500-015 HD	Gear Rack Support Block	1
2	GEAR PLATE HD	Top Gear Rack Plate	1
3	2500-012 HD	Bottom Support Plate	1
4	2500-504 HD	Gear Rack	1
5	2500-510 HD	2 Pt. Gear	1

NOTE:
HD PARTS
REPLACE: 2500-504, 2500-015
2500-510, 2500-012 & ADD
TOP GEAR RACK PLATE

PROPRIETARY AND CONFIDENTIAL
THE INFORMATION CONTAINED IN THIS
DRAWING IS THE SOLE PROPERTY OF
MITTLER BROS. MACHINE & TOOL. ANY
REPRODUCTION IN PART OR AS A WHOLE
WITHOUT THE WRITTEN PERMISSION OF
MITTLER BROS. MACHINE & TOOL IS
PROHIBITED.

4/5/2011		UNLESS OTHERWISE SPECIFIED: DIMENSIONS ARE IN INCHES TOLERANCES: FRACTIONAL ±.015 ONE PLACE DECIMAL ±.015 TWO PLACE DECIMAL ±.010 THREE PLACE DECIMAL ±.005 ANGULAR ± 1°	NAME RKH	DATE 5/15/08	 MB MITTLER BROS. MACHINE & TOOL 10 Cooperative Way, Wright City MO, 63390 (636)745-7757 Fax (636)745-2874
		QUANTITY 1	DRAWN		
		MATERIAL	CHECKED		
		FINISH LENGTH	ENG APPR.		
NEXT ASSY	USED ON	FINISH	MFG APPR.		TITLE: Ram/Table Assembly
APPLICATION	DO NOT SCALE DRAWING	COMMENTS			SIZE DWG. NO. B 2500-170A
					SCALE: 1:8 WEIGHT: SHEET 1 OF 1