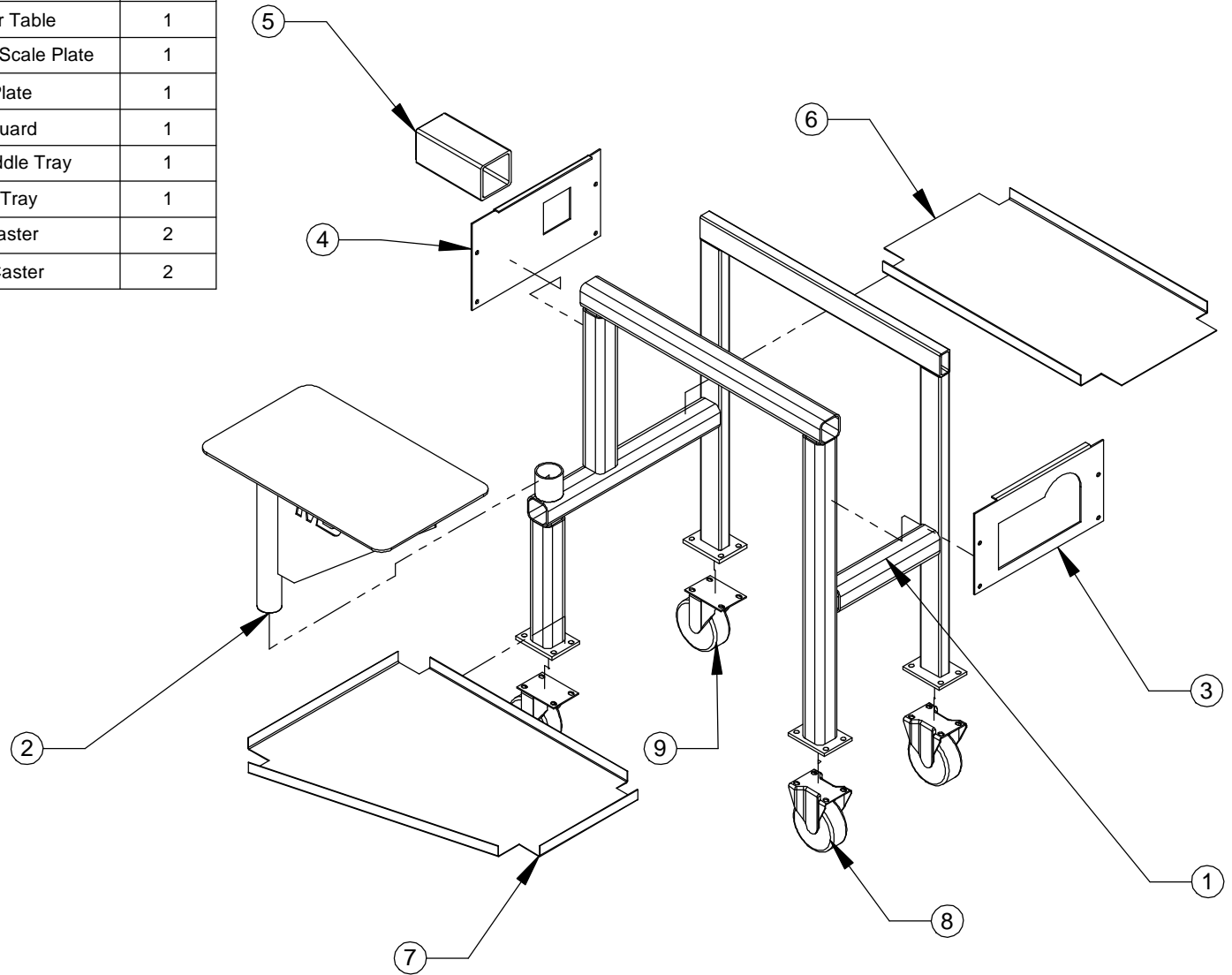


ITEM NO.	PART NUMBER	DESCRIPTION	QTY.
1	2500-136	180 Bender Stand	1
2	2500-155	Follow Bar Table	1
3	2500-122	Hyd. Cyl./Dig. Scale Plate	1
4	2500-205	Rack Plate	1
5	2500-141	Rack Guard	1
6	2500-139	Stand -- Middle Tray	1
7	2500-138	Bottom Tray	1
8	760-2-04208-445	Rigid Caster	2
9	760-2-04256-445BRK4	Swivel Caster	2



**PROPRIETARY AND CONFIDENTIAL**  
 THE INFORMATION CONTAINED IN THIS DRAWING IS THE SOLE PROPERTY OF MITTLER BROS. MACHINE & TOOL. ANY REPRODUCTION IN PART OR AS A WHOLE WITHOUT THE WRITTEN PERMISSION OF MITTLER BROS. MACHINE & TOOL IS PROHIBITED.

4/5/2011		UNLESS OTHERWISE SPECIFIED:		NAME	DATE
		DIMENSIONS ARE IN INCHES	DRAWN	BAB	3/10/11
		TOLERANCES:	CHECKED		
		FRACTIONAL ±.015	ENG APPR.		
		ONE PLACE DECIMAL ±.015	MFG APPR.		
		TWO PLACE DECIMAL ±.010	Q.A.		
		THREE PLACE DECIMAL ±.005	COMMENTS		
		ANGULAR ±1°			
		QUANTITY			
		MATERIAL			
		yyyy			
		FINISH			
NEXT ASSY	USED ON				
APPLICATION		DO NOT SCALE DRAWING			

**MB MITTLER BROS. MACHINE & TOOL**  
 10 Cooperative Way, Wright City, MO. 63390  
 (636)745-7757 Fax (636)745-2874

TITLE:  
**Stand Assembly**

SIZE	DWG. NO.	REV
<b>A</b>	2500-140A	

SCALE: 1:12 | WEIGHT: 89.980 | SHEET 1 OF 1