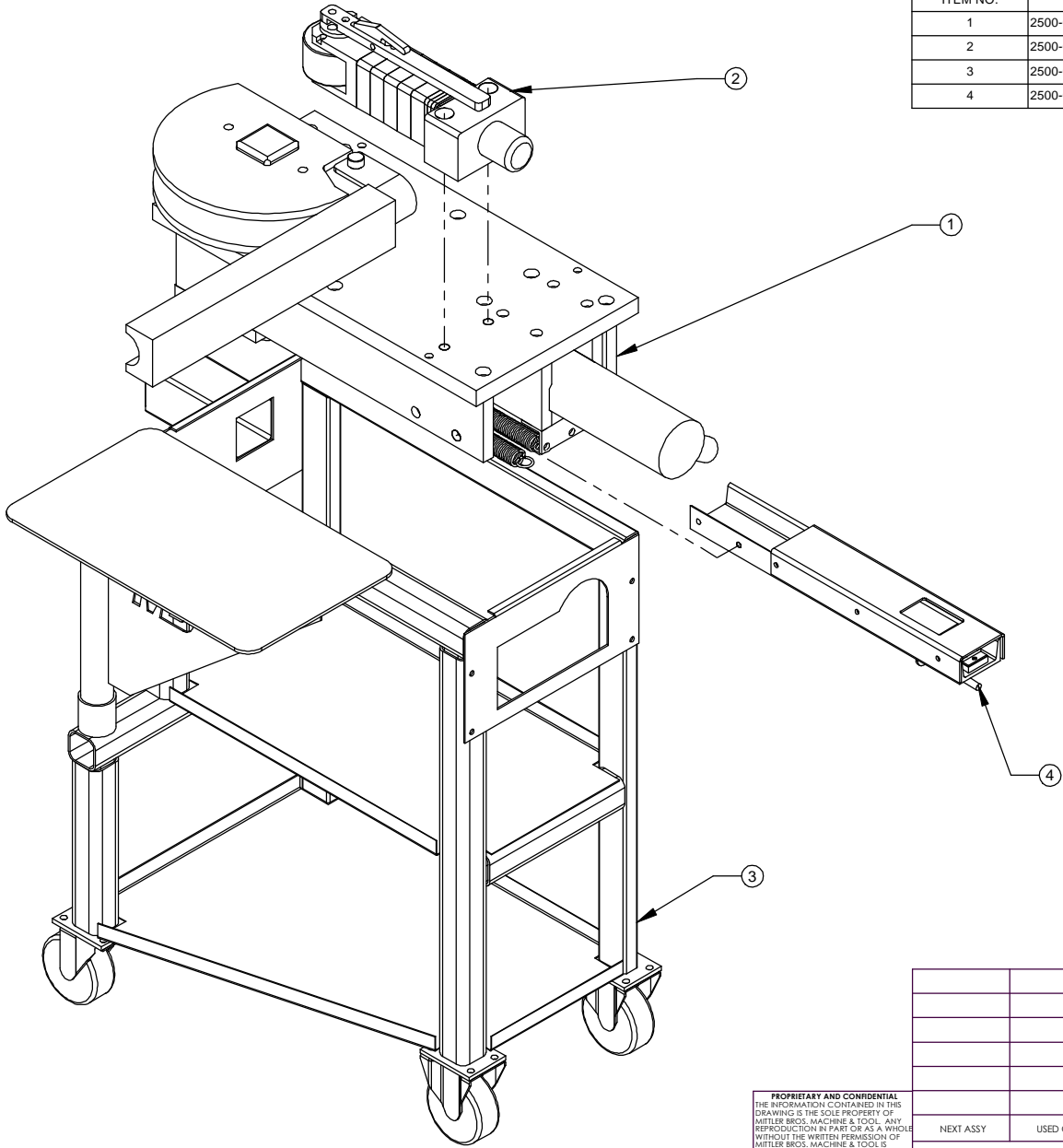


8 7 6 5 4 3 2 1

ITEM NO.	PART NUMBER	DESCRIPTION	QTY.
1	2500-030 Assem	Ram/Table Assembly	1
2	2500-010 Assem	Cam Assembly	1
3	2500-020 Assem	Stand Assembly	1
4	2500-050 Assem	Digital Scale Assem.	1



D
C
B
A

D
C
B
A

8 7 6 5 4 3 2 1

PROPRIETARY AND CONFIDENTIAL
 THE INFORMATION CONTAINED IN THIS
 DRAWING IS THE SOLE PROPERTY OF
 MITTLER BROS. MACHINE & TOOL. ANY
 REPRODUCTION IN PART OR AS A WHOLE
 WITHOUT THE WRITTEN PERMISSION OF
 MITTLER BROS. MACHINE & TOOL IS
 PROHIBITED.

UNLESS OTHERWISE SPECIFIED:		NAME	DATE	MB MITTLER BROS. MACHINE & TOOL 10 Cooperative Way, Wright City MO, 63390 (636)745-7757 Fax (636)745-2874
DIMENSIONS ARE IN INCHES		RKH	5/15/08	
TOLERANCES:		DRAWN		TITLE: 180 Hyd. Tubing Bender Rev A
FRACTIONAL ±.015		CHECKED		
ONE PLACE DECIMAL ±.015		ENG APPR.		
TWO PLACE DECIMAL ±.010		MFG APPR.		
THREE PLACE DECIMAL ±.005		Q.A.		SIZE DWG. NO. REV
ANGULAR ± 1°				B 2500-000-A
QUANTITY	1			SCALE: 1:6 WEIGHT: 266.88 SHEET 1 OF 1
MATERIAL	Yyyy	FINISH	COMMENTS	
NEXT ASSY	USED ON			
APPLICATION	DO NOT SCALE DRAWING			