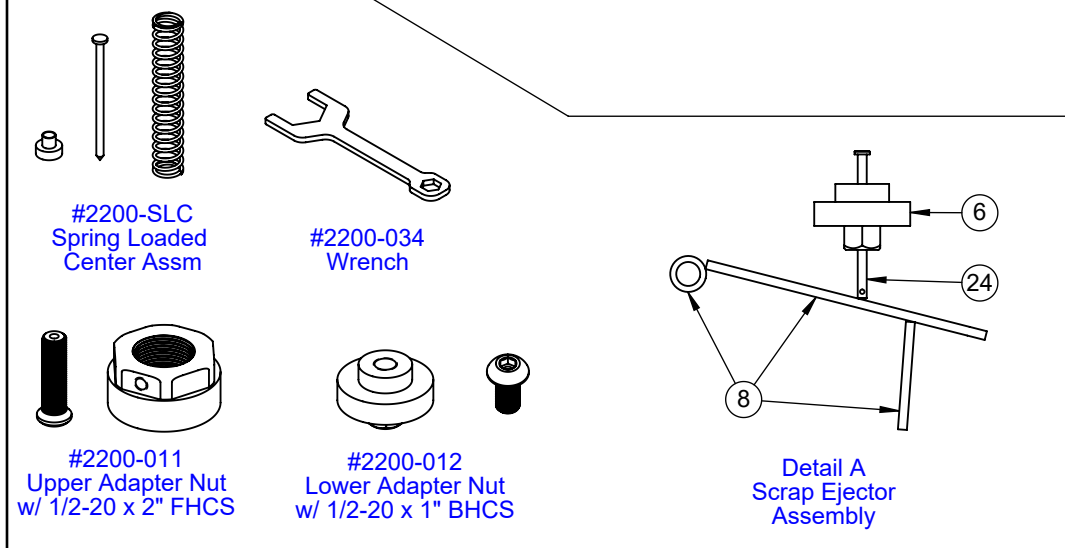


ITEM NO.	PART NUMBER	DESCRIPTION	QTY.
1	2200-M	Manual Press Frame	1
2	2200-005	Ram Press	1
3	2200-006-A	Pinion	1
4	2200-006-B	Pinion Sleeve	1
5	2200-008	Handle	1
6	2200-013	Flat Washer	1
7	2200-055A	Hard Washer, 1-11/16" OD	1
8	2200-055B	Hard Washer, 1-1/2" OD	1
9	2200-501	1 1/2 Bronze Bushing	2
10	2200-SF2836-16	7/8 Bronze Bushing	1
11	2200-SF4048-16	1 1/4 Bronze Bushing	1
12	2200-531	Snap Ring	1
13	2200-098	Leg Swivel Screw	1
14	2200-099	Plastic Foot	1
15	94612A103	3/8"-16 Flange Nut	1
16	90566A031	3/8"-16 Nylock Jam Nut	1
17	91257A640	3/8"-16 x 4" HHCS	1
18	96966A850	3/8"-16 x 3/4" Thumb Screw	1
19	91251A622	3/8"-16 x 3/4" SHCS	1
20	91255A710	1/2"-13 x 3/4" BHCS	2
21	550-025	Freeze Plug	1
22	2200-IH	Quick Index Press Handle Kit	1

**Included With Press**



See Detail A

<b>PROPRIETARY AND CONFIDENTIAL</b>		NAME	DATE
THE INFORMATION CONTAINED IN THIS DRAWING IS THE SOLE PROPERTY OF MITTLER BROS. MACHINE & TOOL. ANY REPRODUCTION IN PART OR AS A WHOLE WITHOUT THE WRITTEN PERMISSION OF MITTLER BROS. MACHINE & TOOL IS PROHIBITED.		DRAWN	MSA 4/21/20
<b>UNLESS OTHERWISE SPECIFIED:</b>			
DIMENSIONS ARE IN INCHES			
TOLERANCES:			
FRACTIONAL ±1/32			
ONE PLACE DECIMAL ±.015			
TWO PLACE DECIMAL ±.010			
THREE PLACE DECIMAL ±.005			
ANGULAR ±1°			
QUANTITY		<b>COMMENTS:</b>	
MATERIAL			
FINISH			
<b>DO NOT SCALE DRAWING</b>			
<b>TITLE:</b>			
<b>3 Ton Manual Bench Press</b>			
10 Cooperative Way, Wright City, MO. 63390 (636)745-7757 Fax (636)745-2874			
SIZE	DWG. NO.	REV	
<b>A</b>	2200-M		
SCALE: 1:8	WEIGHT:	SHEET 1 OF 1	