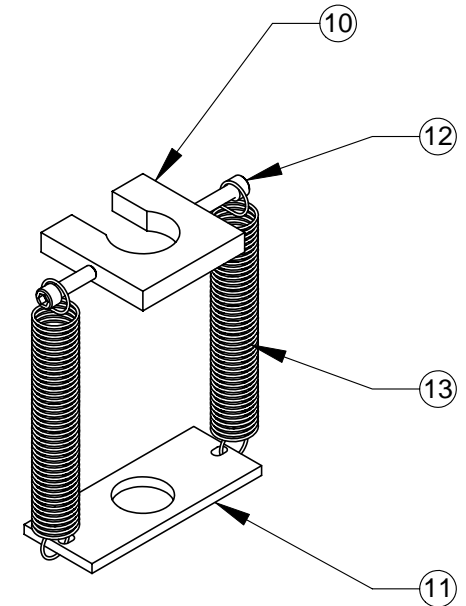
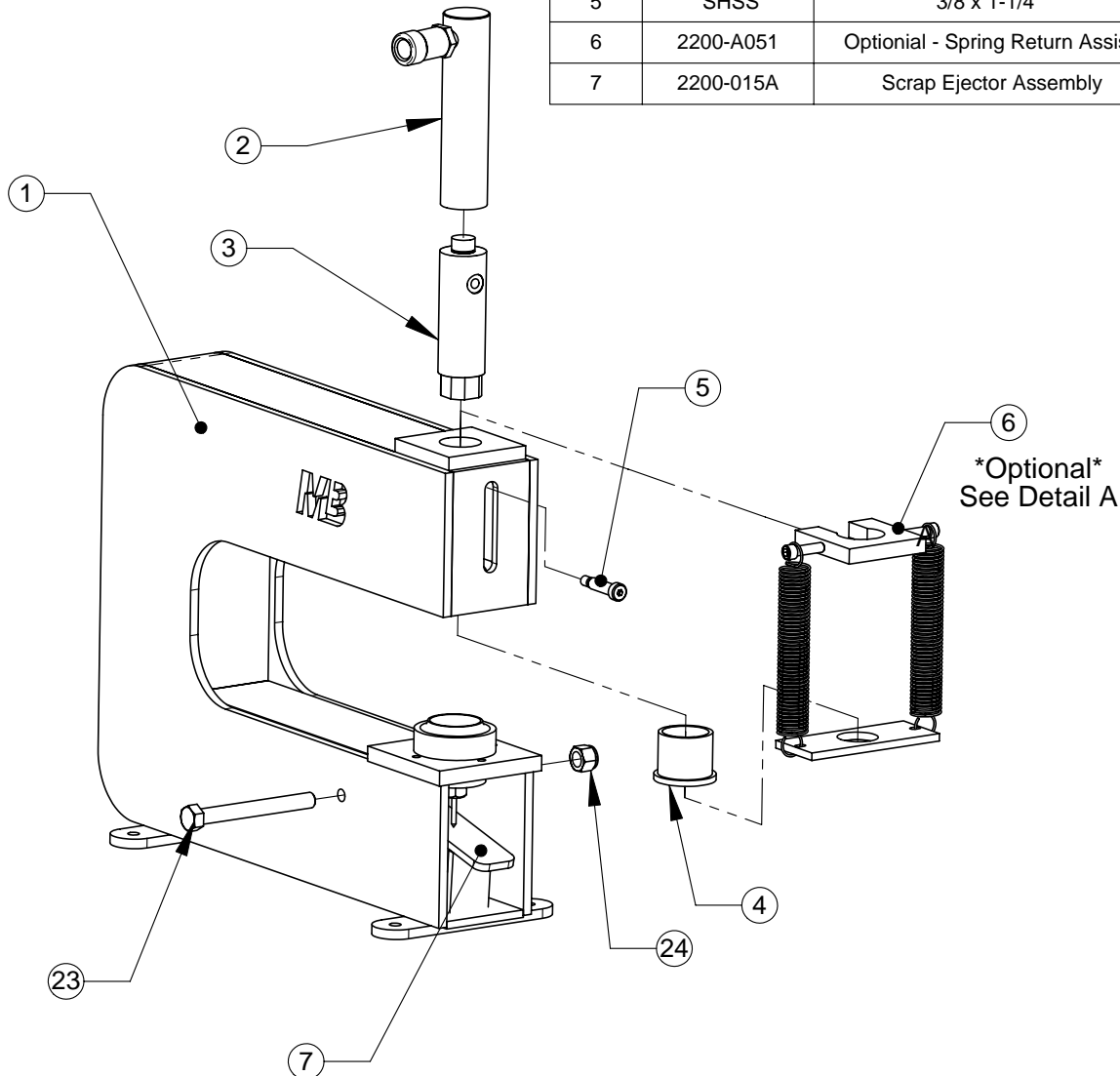


Item No.	Part Number	Description	Qty.
1	2200-H	Hydraulic Press Frame	1
2	2200-510	5 Ton Hydraulic Piston	1
3	2200-H02	Ram	1
4	2200-501	1-1/2 Bronze Bearing	1
5	SHSS	3/8 x 1-1/4"	1
6	2200-A051	Optional - Spring Return Assist	1
7	2200-015A	Scrap Ejector Assembly	1



Detail A
Optional
2200-A051 Spring Return Assist

Item No.	Part Number	Description	Qty.
10	2200-051	Upper Spring Return Assist	1
11	2200-052	Lower Spring Return Assist	1
12	5/16 - 18	SHSS	2
13	500-502	1" Ø Spring	2

Rev A 6/17/2010

**MB MITTLER BROS.
MACHINE & TOOL**
10 Cooperative Way, Wright City, MO. 63390
(636)745-7757 Fax (636)745-2874

TITLE:
Spring Return Assist

PROPRIETARY AND CONFIDENTIAL
THE INFORMATION CONTAINED IN THIS
DRAWING IS THE SOLE PROPERTY OF
MITTLER BROS. MACHINE & TOOL. ANY
REPRODUCTION IN PART OR AS A WHOLE
WITHOUT THE WRITTEN PERMISSION OF
MITTLER BROS. MACHINE & TOOL IS
PROHIBITED.

SIZE	DWG. NO.	REV
A	2200-A051	A
SCALE: 1:12	WEIGHT: 67.156	SHEET 1 OF 1