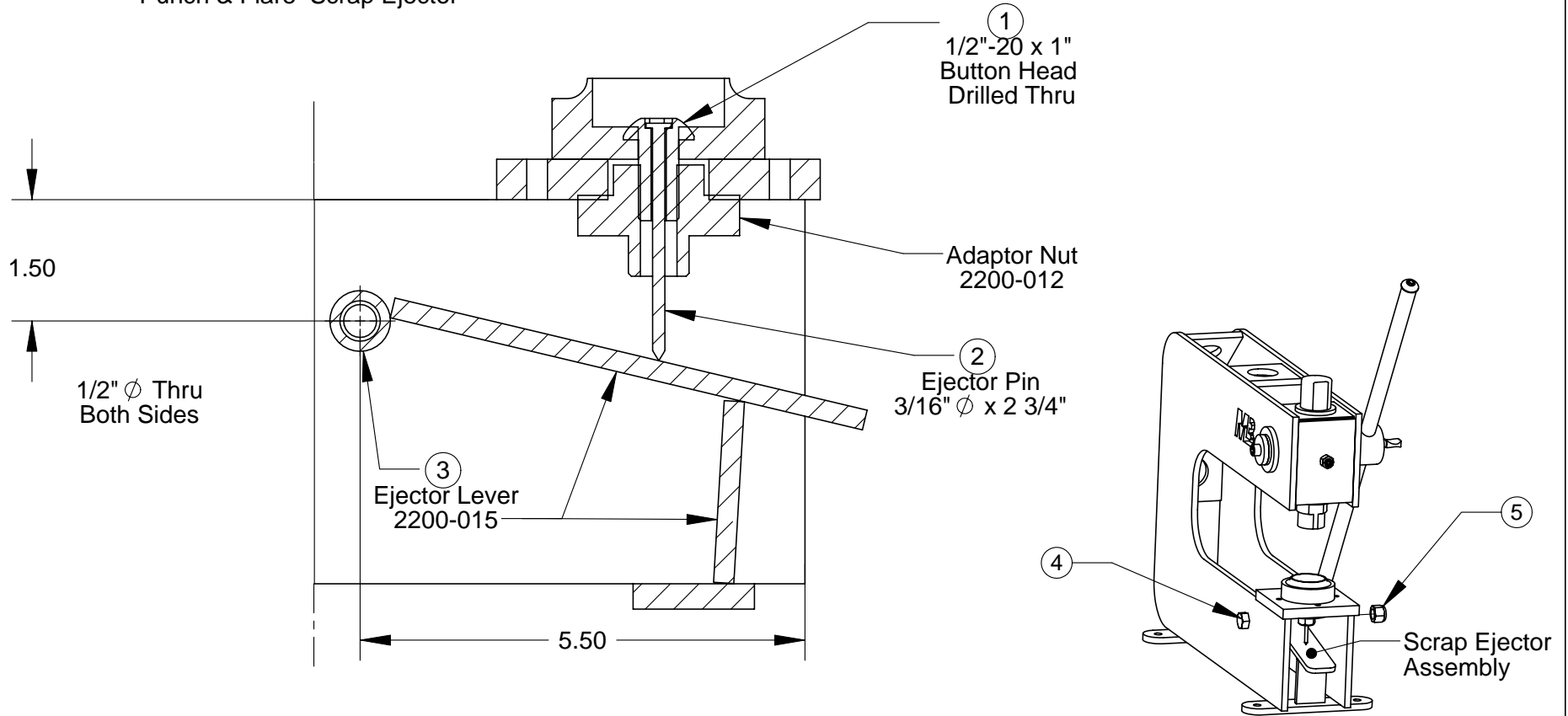


Punch & Flare Scrap Ejector



Pieces Included in Kit:

- 1) 1/2"-20 x 1" SBHCS Drilled Thru
- 2) Ejector Pin
- 3) Ejector Lever, 2200-015
- 4) 1/2"-13 x 4 1/2" HHCS
- 5) 1/2"-13 Nylok Half-Nut

PROPRIETARY AND CONFIDENTIAL
 THE INFORMATION CONTAINED IN THIS DRAWING IS THE SOLE PROPERTY OF MITTLER BROS. MACHINE & TOOL. ANY REPRODUCTION IN PART OR AS A WHOLE WITHOUT THE WRITTEN PERMISSION OF MITTLER BROS. MACHINE & TOOL IS PROHIBITED.

Rev A	6/17/2010	UNLESS OTHERWISE SPECIFIED: DIMENSIONS ARE IN INCHES TOLERANCES: FRACTIONAL ±.015 ONE PLACE DECIMAL ±.015 TWO PLACE DECIMAL ±.010 THREE PLACE DECIMAL ±.005 ANGULAR ±1°	DRAWN	NAME	DATE	 MITTLER BROS. MACHINE & TOOL 10 Cooperative Way, Wright City, MO. 63390 (636)745-7757 Fax (636)745-2874
			CHECKED	RKH	2/15/07	
			ENG APPR.			
			MFG APPR.			
			O.A.			
		QUANTITY	COMMENTS			TITLE: Scrap Ejector Assembly
		MATERIAL yyyy				SIZE DWG. NO. REV A 2200-015A A
NEXT ASSY	USED ON	FINISH				SCALE: 1:2 WEIGHT: 58.000 SHEET 1 OF 1
APPLICATION		DO NOT SCALE DRAWING				