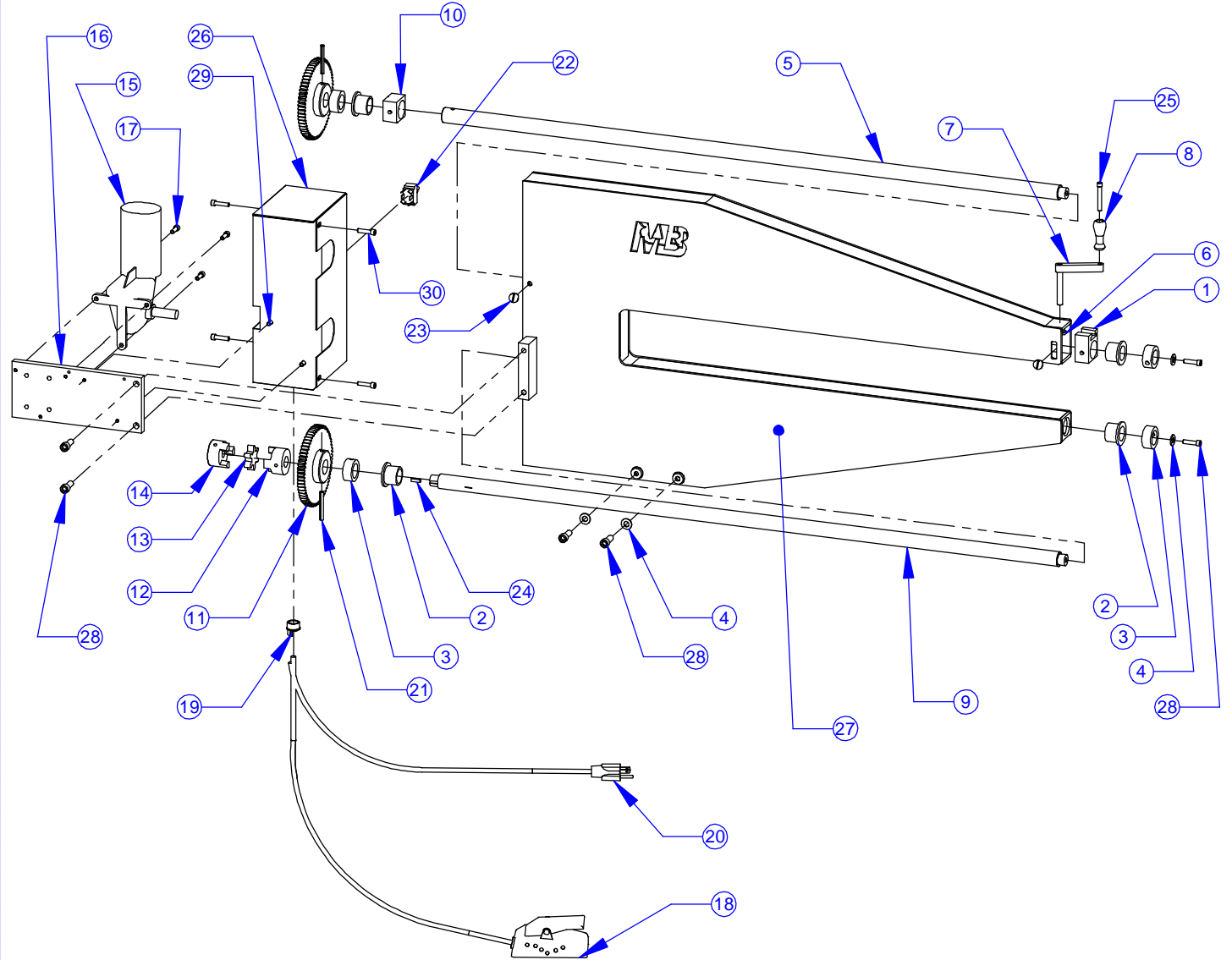



BOM Table

ITEM NO.	PART NUMBER	Description	QTY.
1	200-016	Adj Upper Bearing Block	1
2	200-501	Flanged Bronze Bushing	4
3	200-502	1" I.D. Set Collar	4
4	Flat Washer	Flat Washer 3/8"	4
5	200-061-U	Upper Shaft - 36"	1
6	200-023	T-Nut	1
7	200-026	Handle Mount	1
8	200-110	Alum. Handle	1
9	200-061-L	Lower Drive Shaft - 36"	1
10	200-017	Upper Bearing Block	1
11	204-024	Gear for 4" Throat	2
12	200-504	3/4" Coupling Half	1
13	200-505	Spider	1
14	200-503	1/2" Coupling Half	1
15	200-506	Motor	1
16	200-013	Motor Mount Plate	1
17	HX-SHCS 0.25-20x0.75x0.75-N	Socket Head Cap Screw	3
18	200-520 & 508	Foot Pedal & Wire Assembly	1
19	200-517	1/2" Romex Connector	1
20	200-542	Electrical Cord w/ Plug (16/4)	1
21	200-519	Roll Pin, 1/4" x 2"	2
22	200-507	Reversing Switch	1
23	200-514	Lock Screw	2
24	Key Stock	3/16" Key Stock	1
25	200-516	Socket Head Cap Screw	1
26	204-406	Gear Box	1
27	204-36-400	Frame Assembly	1
28	HX-SHCS 0.375-16x1x1-C	Socket Head Cap Screw	6
29	SBHCSCREW 0.25-20x0.5-HX-C	Button Head Cap Screw	2
30	HX-SHCS 0.25-20-1X1-C	Socket Head Cap Screw	4



**PROPRIETARY AND CONFIDENTIAL**  
 THE INFORMATION CONTAINED IN THIS DRAWING IS THE SOLE PROPERTY OF MITTLER BROS. MACHINE & TOOL. ANY REPRODUCTION IN PART OR AS A WHOLE WITHOUT THE WRITTEN PERMISSION OF MITTLER BROS. MACHINE & TOOL IS PROHIBITED.

		UNLESS OTHERWISE SPECIFIED:		NAME	DATE	 10 Cooperative Way, Wright City, MO. 63390 (636)745-7757 Fax (636)745-2874	
		DIMENSIONS ARE IN INCHES		DRAWN	BAB		12/6/11
		TOLERANCES:		CHECKED			
		FRACTIONAL ±.015		ENG APPR.			
		ONE PLACE DECIMAL ±.015		MFG APPR.			
		TWO PLACE DECIMAL ±.010		Q.A.			
		THREE PLACE DECIMAL ±.005		COMMENTS			
		ANGULAR ±1°					
		QUANTITY				TITLE:	
		MATERIAL				36" - 4" Deep Bead Roller	
		FINISH				SIZE DWG. NO.	
NEXT ASSY	USED ON	APPLICATION	DO NOT SCALE DRAWING			204-36-000	
						REV	
						A	
						SCALE: 1:11	
						WEIGHT:	
						SHEET 1 OF 1	