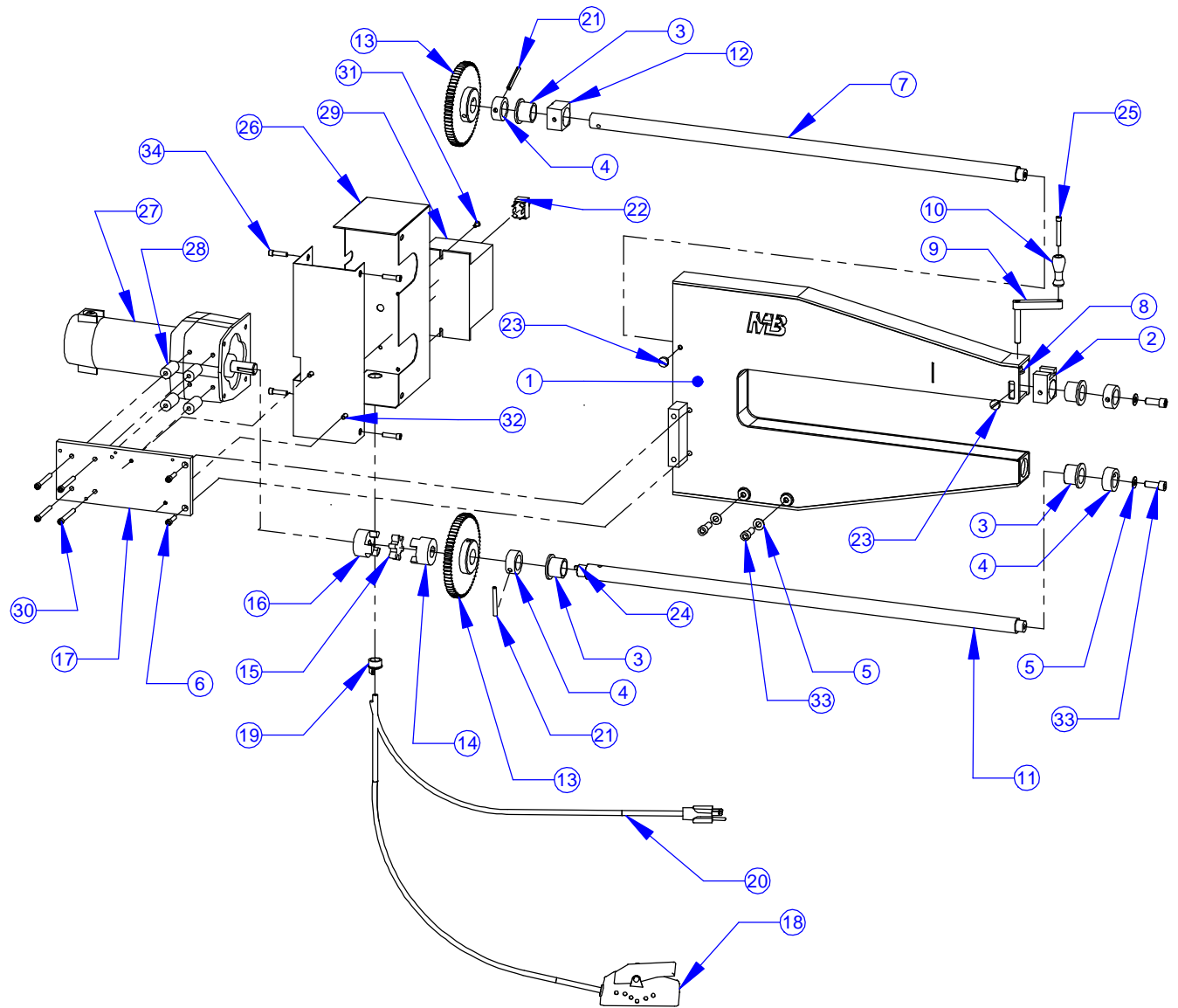


ITEM NO.	PART NUMBER	Description	QTY.
1	204-24-400	Frame Assembly	1
2	200-016	Adj Upper Bearing Block	1
3	200-501	Flanged Bronze Bushing	4
4	200-502	1" I.D. Set Collar	4
5	Flat Washer	Flat Washer 3/8"	4
6	HX-SHCS 0.375-16X1X1-N	Socket Head Cap Screw	2
7	200-022-U	Upper Shaft	1
8	200-023	T-Nut	1
9	200-026	Handle Mount	1
10	200-110	Alum. Handle	1
11	200-022-L	Lower Drive Shaft	1
12	200-017	Upper Bearing Block	1
13	204-024	Gear for 4" Throat	2
14	200-504	3/4" Coupling Half	1
15	200-505	Spider	1
16	200-503	1/2" Coupling Half	1
17	200-013	Motor Mount Plate	1
18	200-520 & 508	Foot Pedal & Wire Assembly	1
19	200-517	1/2" Romex Connector	1
20	200-542	Electrical Cord w/ Plug (16/4)	1
21	200-519	Roll Pin, 1/4" x 2"	2
22	200-507	Reversing Switch	1
23	200-514	Lock Screw	2
24	Key Stock	3/16" Key Stock	1
25	200-516	Socket Head Cap Screw	1
26	204-406	Gear Box	1
27	200-526	Motor, Variable Speed	1
28	204-001-NV	Motor Spacer	4
29	200-527	Control, Variable Speed	1
30	HX-SHCS 0.25-20x2.25x2.25-C	Socket Head Cap Screw	4
31	SBHCSCREW 0.19-32x0.5-HX-C	Button Head Cap Screw	2
32	SBHCSCREW 0.25-20x0.5-HX-C	Button Head Cap Screw	2
33	3/8-16 x 1.00	SHCS	4
34	HX-SHCS 0.25-20x1.0x1.0-C	Socket Head Cap Screw	2



**PROPRIETARY AND CONFIDENTIAL**  
 THE INFORMATION CONTAINED IN THIS DRAWING IS THE SOLE PROPERTY OF MITTLER BROS. MACHINE & TOOL. ANY REPRODUCTION IN PART OR AS A WHOLE WITHOUT THE WRITTEN PERMISSION OF MITTLER BROS. MACHINE & TOOL IS PROHIBITED.

		UNLESS OTHERWISE SPECIFIED:		NAME	DATE
		DIMENSIONS ARE IN INCHES	DRAWN	BAB	11/3/11
		TOLERANCES:	CHECKED		
		FRACTIONAL ±.015	ENG APPR.		
		ONE PLACE DECIMAL ±.015	MFG APPR.		
		TWO PLACE DECIMAL ±.010	Q.A.		
		THREE PLACE DECIMAL ±.005	COMMENTS		
		ANGULAR ±1°			
NEXT ASSY	USED ON	FINISH			
APPLICATION		DO NOT SCALE DRAWING			

**MB MITTLER BROS. MACHINE & TOOL**  
 10 Cooperative Way, Wright City, MO. 63390  
 (636)745-7757 Fax (636)745-2874

TITLE:  
**24" Ind. VS Bead Roller- 4" Deep**

SIZE	DWG. NO.	REV
<b>A</b>	<b>204-24NV-000</b>	

SCALE: 1:11 WEIGHT: SHEET 1 OF 1