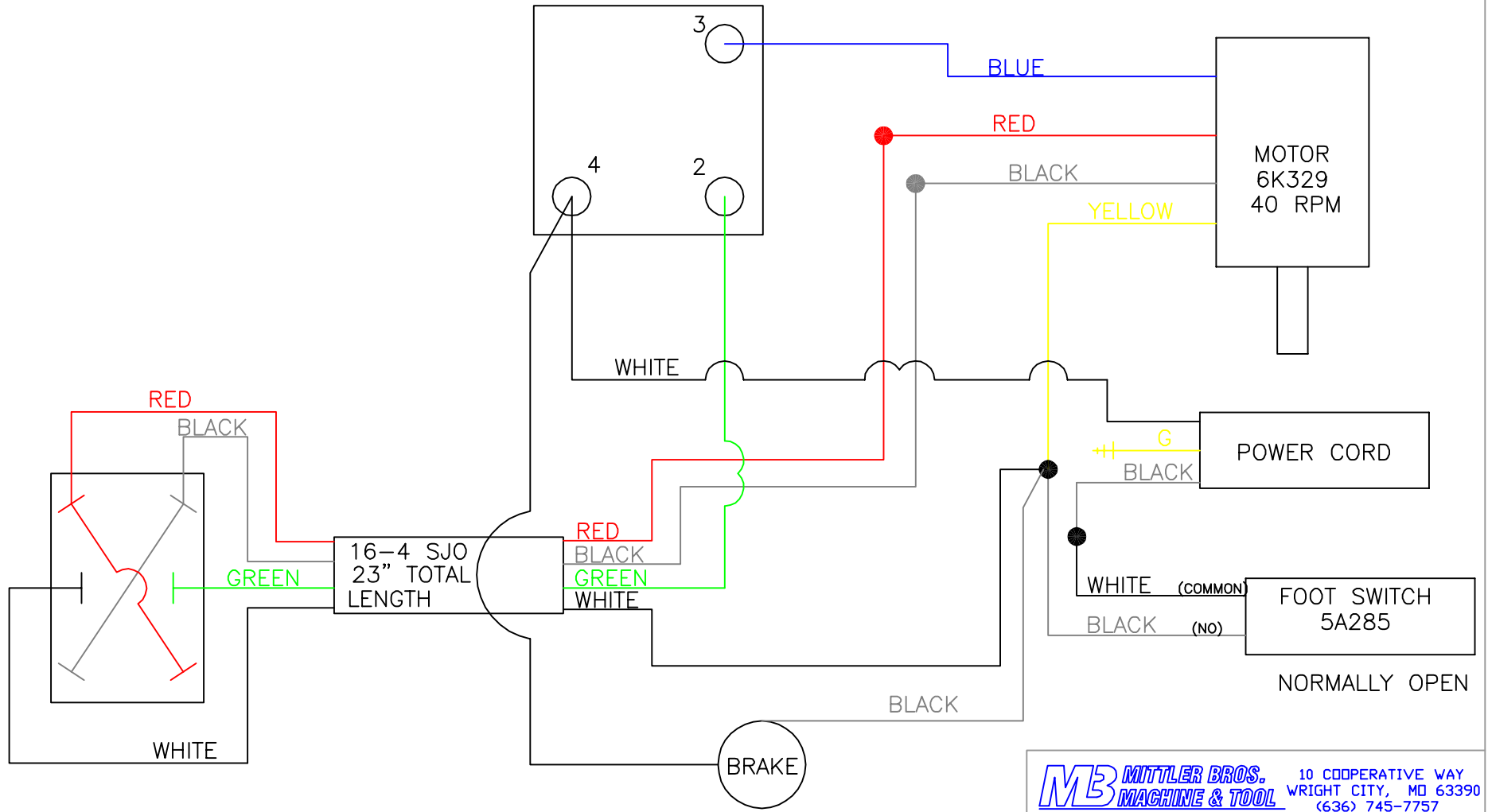


REVISION	DATE	BY	DESCRIPTION
A	5/13/98	TFD	REDRAWN
B	4/15/04	JEP	ADDED BRAKE WIRES



MB MITTLER BROS. MACHINE & TOOL 10 COOPERATIVE WAY
 WRIGHT CITY, MD 63390
 (636) 745-7757

.X = ± .015	INDUSTRIAL BEAD ROLLER	
.XX = ± .010	TITLE: ELECTRICAL SCHEMATIC	
.XXX = ± .005	DATE: 11/28/95	DR. BY: MTR
FRAC. = ± .015	SHEET SIZE: A	UNITS: INCHES
	SCALE: 1=1	NO. 200-000

NO. REQ'D:	MATL.
CNC PROG. NO.	HT.: